

Stocked Switches — SP2T

SEM Series

SP2T / DC-26.5 GHz

- 19 Stock Models in SP2T Series
- Standard Features Include:
Latching Models, Failsafe Models,
TTL Logic Control, Indicator Circuits
HOT Switching (SEM023DNH Only)



DC-18 GHz

MODEL NO.	FEATURES	ACTUATING CURRENT mA 28Vdc @ 25°C	FREQUENCY RANGE DC-18 GHz	INSERTION LOSS dB(Max)	VSWR (Max)	ISOLATION dB(Min)
SEM020	SP2T(SMA)	160	DC-3	0.2	1.2:1	80
SEM020-12	FAILSAFE	275 @ 12V	3-8	0.3	1.3:1	70
SEM020-24		200 @ 24V	8-12.4	0.4	1.4:1	60
			12.4-18	0.5	1.5:1	60
SEM020L	SP2T (SMA) LATCHING	200	DC-3	0.2	1.2:1	80
			3-8	0.3	1.3:1	70
			8-12.4	0.4	1.4:1	60
			12.4-18	0.5	1.5:1	60
SEM023DNH	SP2T HOT SWITCH FAILSAFE MAKE BEFORE BREAK	250 @ 24V	DC-1 1-3	0.15 0.2	1.1:1 1.2:1	70 70
SEM123	SP2T (SMA) FAILSAFE INDICATOR CKT	160	DC-3	0.2	1.2:1	80
			3-8	0.3	1.3:1	70
			8-12.4	0.4	1.4:1	60
			12.4-18	0.5	1.5:1	60
SEM123D	SP2T (SMA) FAILSAFE INDICATOR CKT TTL* SUPPRESSION DIODE	160	DC-3	0.2	1.2:1	80
			3-8	0.3	1.3:1	70
			8-12.4	0.4	1.4:1	60
			12.4-18	0.5	1.5:1	60
SEM123L	SP2T (SMA) LATCHING INDICATOR CKT	200	DC-3	0.2	1.2:1	80
			3-8	0.3	1.3:1	70
			8-12.4	0.4	1.4:1	60
			12.4-18	0.5	1.5:1	60
SEM123T	SP2T (SMA) FAILSAFE INDICATOR CKT TERMINATED	280	DC-3	0.2	1.2:1	80
			3-8	0.3	1.3:1	70
			8-12.4	0.4	1.4:1	60
			12.4-18	0.5	1.5:1	60
SEM123LT	SP2T (SMA) LATCHING TERMINATED INDICATOR CKT	280	DC-3	0.2	1.2:1	80
			3-8	0.3	1.3:1	70
			8-12.4	0.4	1.4:1	60
			12.4-18	0.4	1.4:1	60

Stocked Switches — SP2T

MODEL NO.	FEATURES	ACTUATING CURRENT mA @28 Vdc & 25°C	FREQUENCY RANGE DC-18 GHz	INSERTION LOSS dB(Max)	VSWR (Max)	ISOLATION dB(Min)
SEM123LD	SP2T (SMA)	200	DC-3	0.2	1.2:1	80
	LATCHING		3-8	0.3	1.3:1	70
	INDICATOR CKT		8-12.4	0.4	1.4:1	60
	TTL*		12.4-18	0.5	1.5:1	60
SEM123DT	SP2T (SMA)	280	DC-3	0.2	1.2:1	80
	FAILSAFE		3-8	0.3	1.3:1	70
	TERMINATED		8-12.4	0.4	1.4:1	60
	INDICATOR CKT		12.4-18	0.5	1.5:1	60
SEM123LDT	SP2T (SMA)	280	DC-3	0.2	1.2:1	80
	LATCHING140		3-8	0.3	1.3:1	70
	INDICATOR CKT		8-12.4	0.5	1.4:1	60
	TERMINATED		12.4-18	0.5	1.5:1	60
SEM123LDT-24	TTL*	325 @ 24V				
	SUPPRESSION DIODE					
	SELF DE-ENERGIZING CKT					

DC-12.4 GHz N Connectors

MODEL NO.	FEATURES	ACTUATING CURRENT mA @24Vdc & 25°C	FREQUENCY RANGE DC-12.4 GHz	INSERTION LOSS dB (Max)	VSWR	ISOLATION dB (Min)
SEM123N	SP2T (N)	180	DC-3	0.2	1.2:1	80
	FAILSAFE		3-8	0.35	1.35:1	70
	INDICATOR CKT		8-12.4	0.5	1.5:1	60
SEM123DN	SP2T (Type N)	180	DC-3	0.2	1.2:1	80
	FAILSAFE		3-8	0.35	1.35:1	70
	INDICATOR CKT		8-12.4	0.5	1.5:1	60
	TTL*					
	SUPPRESSION DIODE					

DC-26.5 GHz SMA Connectors

MODEL NO.	FEATURES	ACTUATING CURRENT mA @28 Vdc & 25°C	FREQUENCY RANGE DC-26.5 GHz	INSERTION LOSS dB (Max)	VSWR	ISOLATION dB (Min)
SEM124	SP2T (SMA)	160	DC-3	0.2	1.2:1	80
	FAILSAFE		3-8	0.3	1.3:1	70
	INDICATOR CKT		8-12.4	0.4	1.4:1	60
	SUPPRESSION DIODES		12.4-18	0.5	1.5:1	60
	TTL*		18-26.5	0.7	1.7:1	45

DC-1 GHz BNC Connectors

MODEL NO.	FEATURES	ACTUATING CURRENT mA @24Vdc & 25°C	FREQUENCY RANGE DC-1 GHz	INSERTION LOSS dB (Max)	VSWR	ISOLATION dB (Min)
SEM129	SP2T (BNC)	70	DC-1	0.3	1.35:1	55
	FAILSAFE					
	INDICATOR CKT					
SEM026DT	SP2T (SMA)	280	DC-1	0.4	1.4:1	50
	FAILSAFE					
	TERMINATED					
	TTL*					

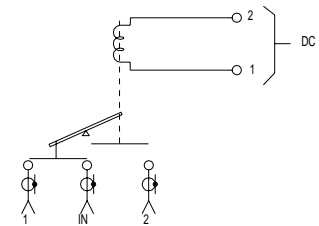
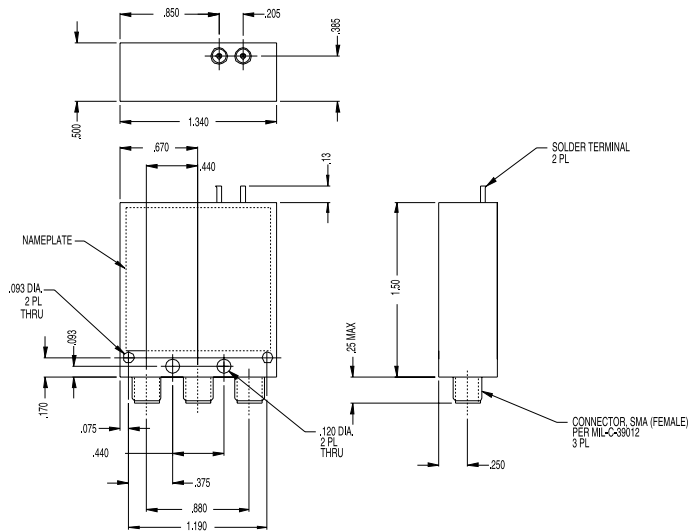
*APPLIES TO ALL SWITCHES WITH TTL:

1. Selected position of the switch is controlled by TTL Logic
2. Switch requires only nominal +28 Vdc for coils (additional 5 Vdc is not required).

3. TTL Logic Voltage Level: Low 0 to 0.8 Vdc High 2.5 to 5.0 Vdc
4. TTL Logic Input Current: Low 0 mA High 1.6 mA max. @ 3.85 Vdc

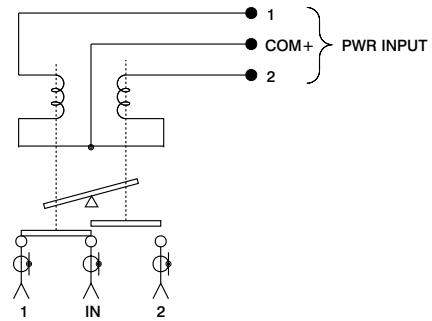
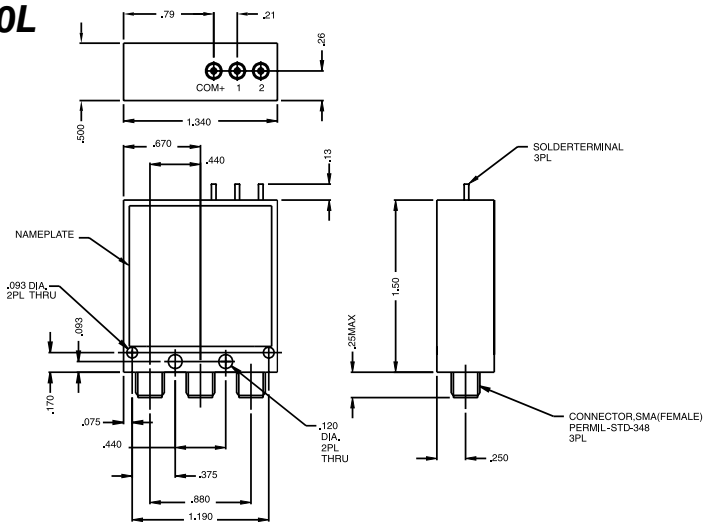
Stocked Switches — SP2T

SEM020 SEM020-12 SEM020-24



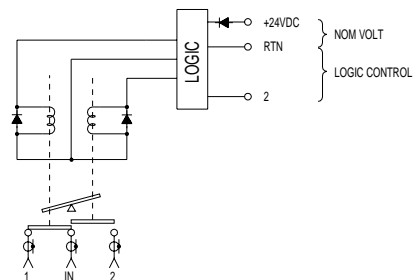
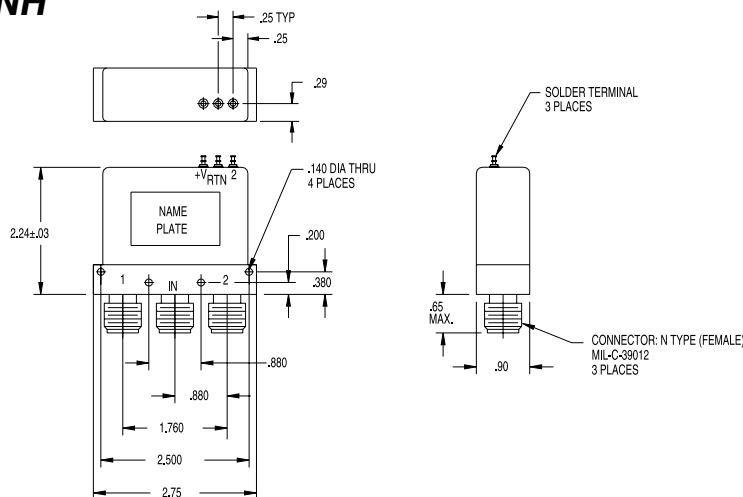
SCHEMATIC SHOWN IN FAILSAFE POSITION

SEM020L



SCHEMATIC SHOWN WITH POSITION 1 CLOSED

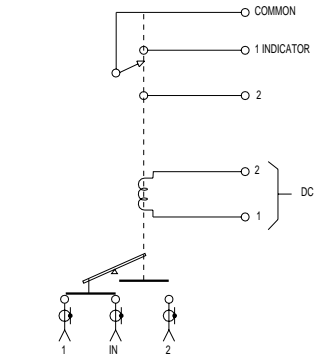
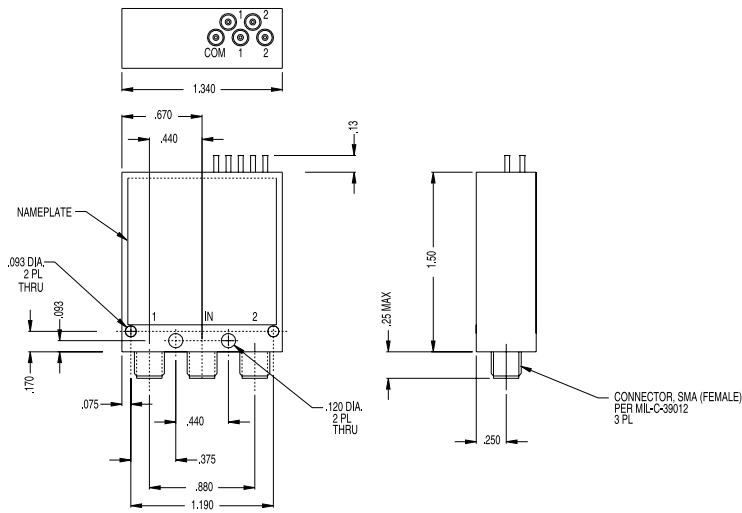
SEM023DNH



SCHEMATIC SHOWN WITH POSITION 1 CLOSED

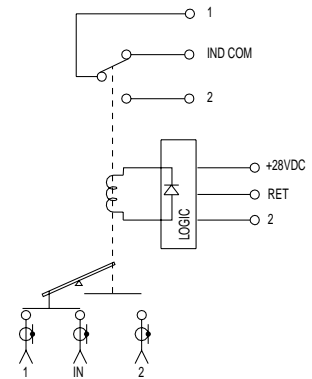
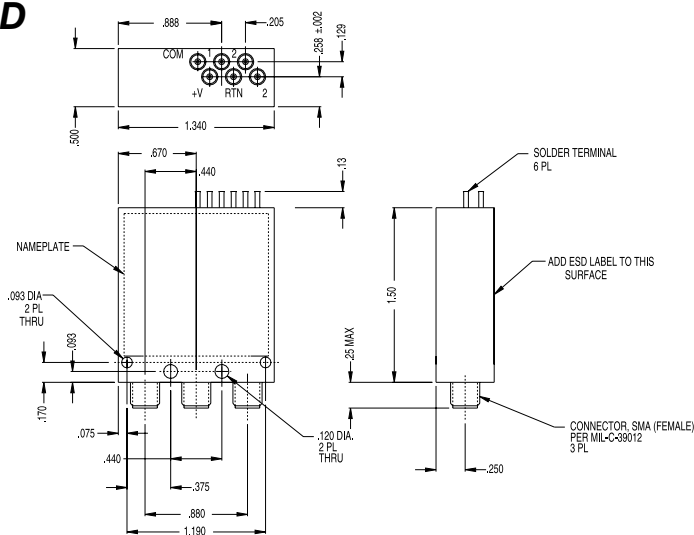
Stacked Switches — SP2T

SEM123



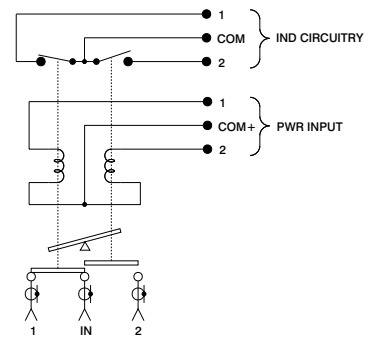
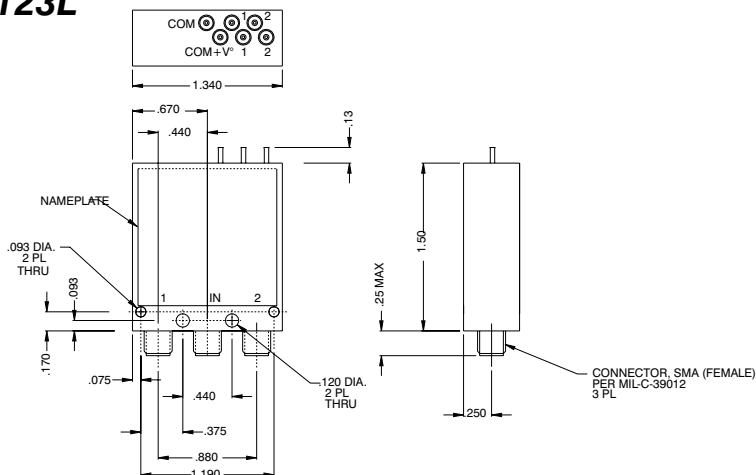
SCHEMATIC SHOWN IN FAILSAFE POSITION

SEM123D



SCHEMATIC SHOWN IN FAILSAFE POSITION

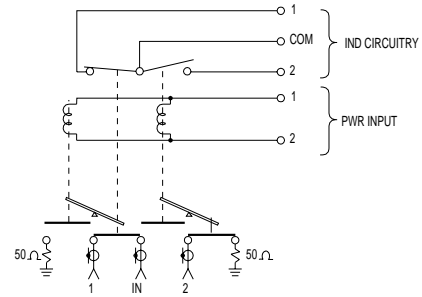
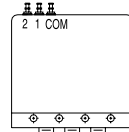
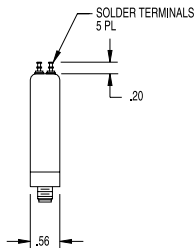
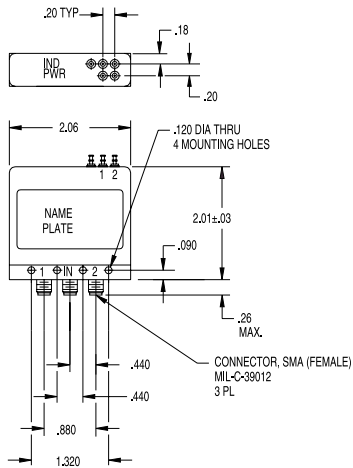
SEM123L



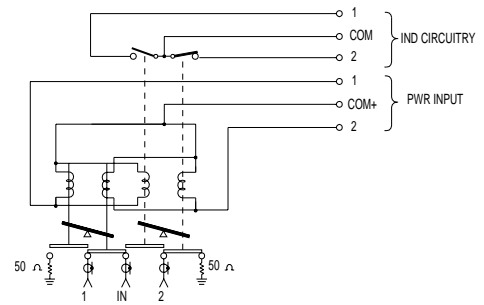
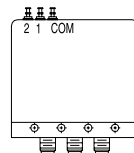
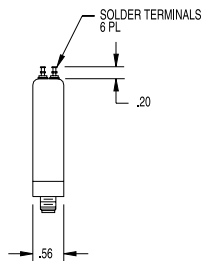
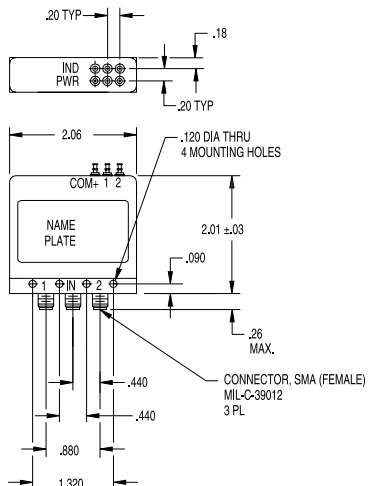
SCHEMATIC SHOWN WITH POSITION 1 CLOSED

Stocked Switches — SP2T

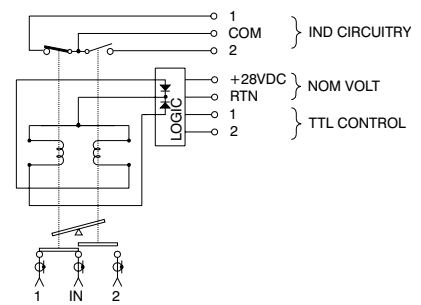
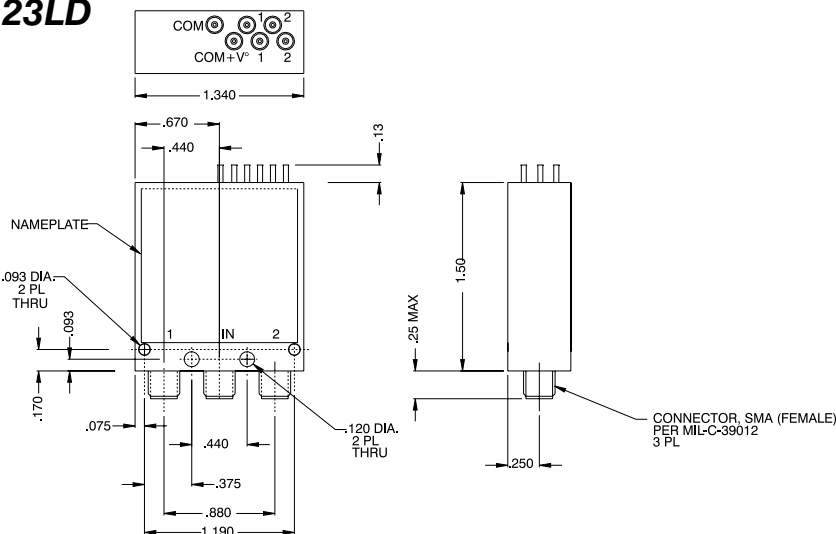
SEM123T



SEM123LT

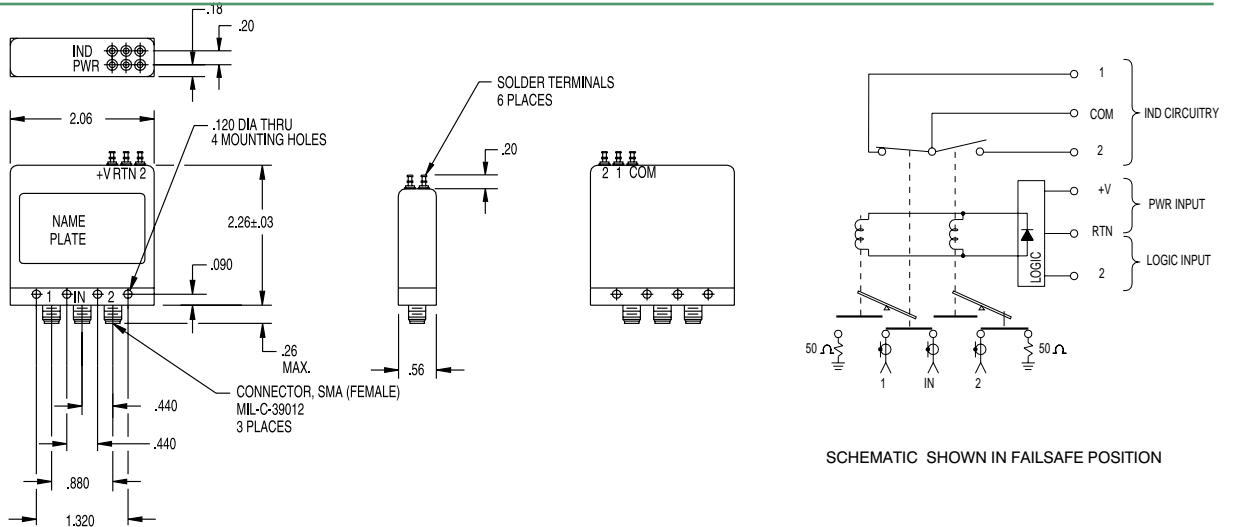


SEM123LD

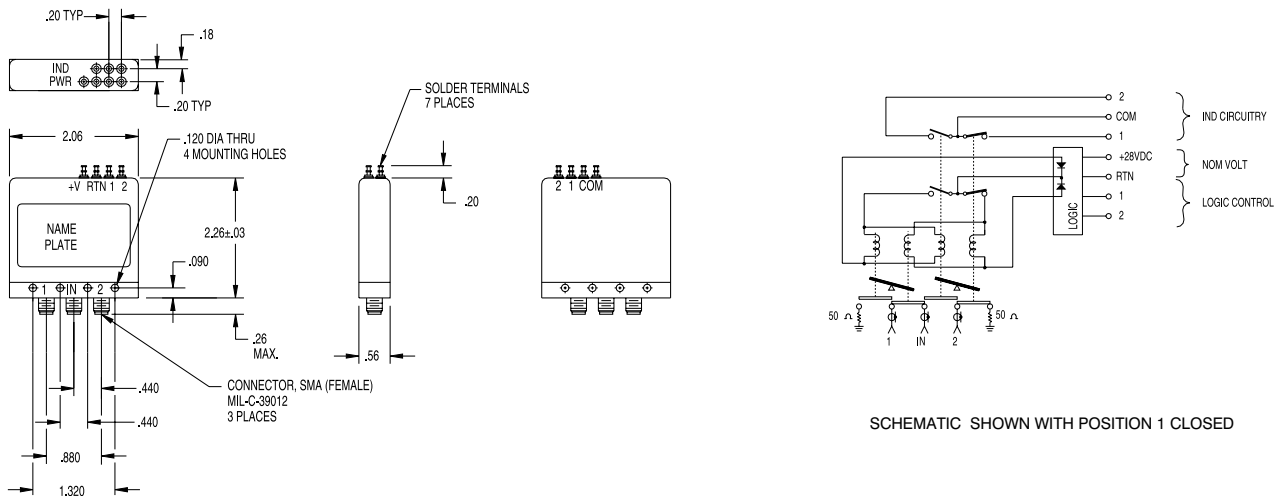


Stacked Switches — SP2T

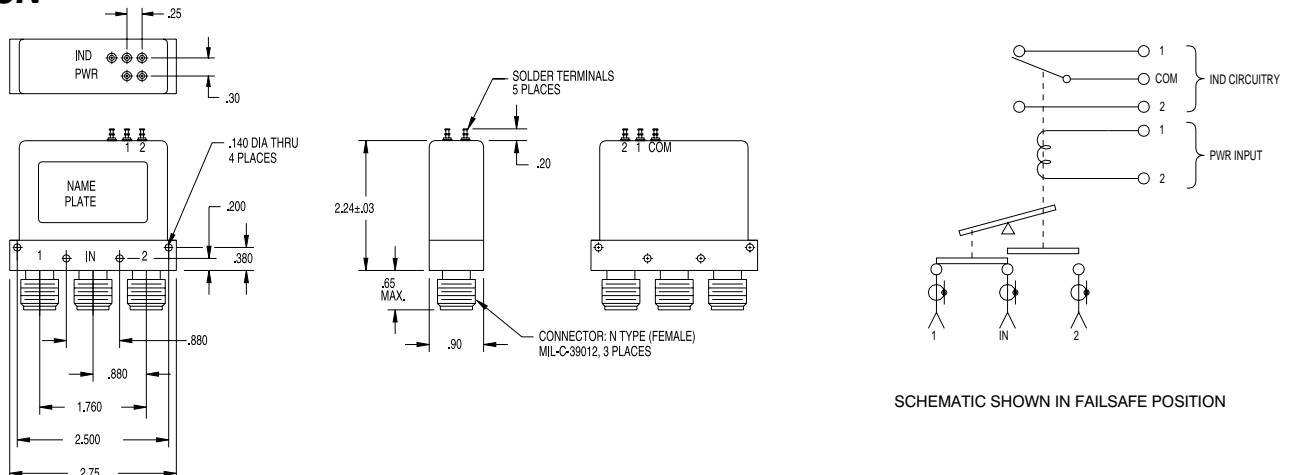
SEM123DT



SEM123LDT SEM123LDT-24

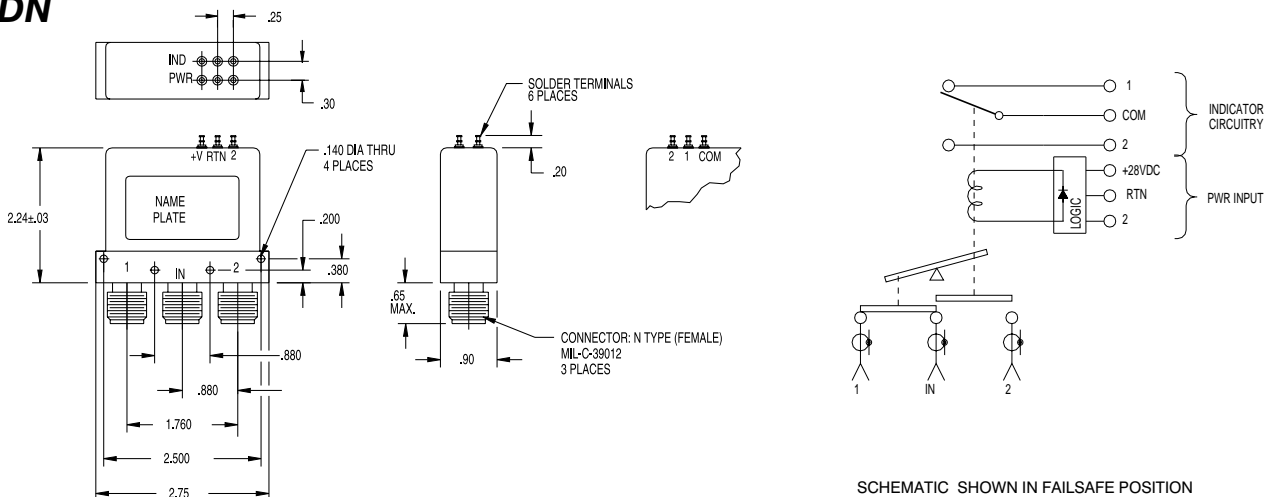


SEM123N

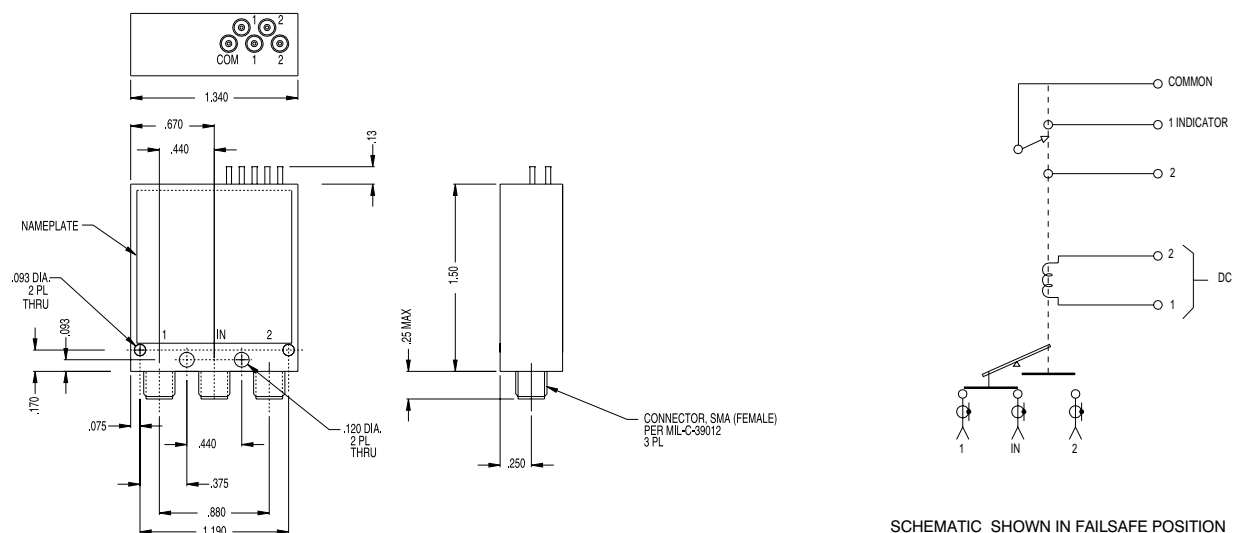


Stocked Switches — SP2T

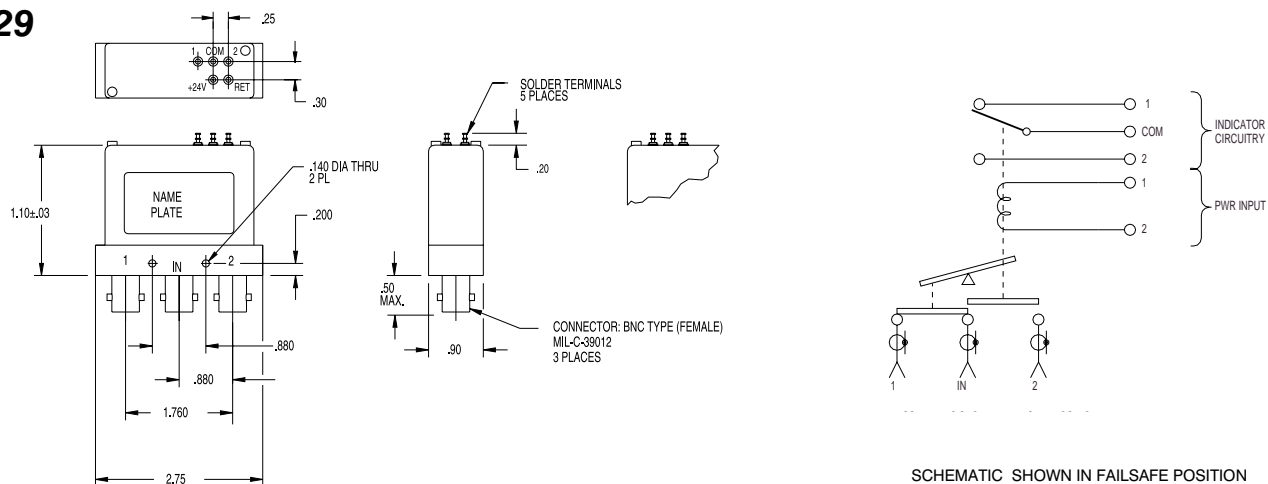
SEM123DN



SEM124



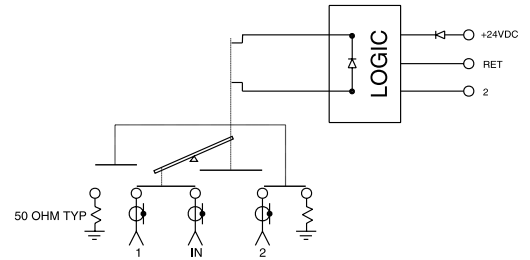
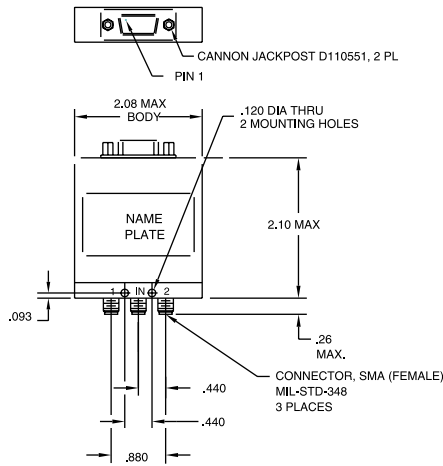
SEM129



Stocked Switches — SP2T

SEM026DT

NOTE: SCREWS WILL BE USED TO FASTEN CAN TO SWITCH BODY.



SCHEMATIC SHOWN IN FAILSAFE POSITION